

# User Manual

BRAZIER



**RÖSHULTS**



## Table of contents

Brazier specification .....	4
Brazier parts .....	5
Safety instructions .....	6
Before first use .....	6
Warning .....	6
How to operate the Brazier .....	7
Storage .....	7
User checks & repairs .....	7
Care & maintenance .....	7
Warranty .....	7



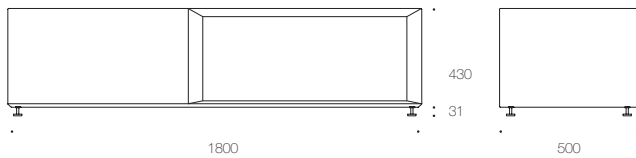
# Brazier

Design:	Broberg & Ridderstråle
Art no:	200049
Colours:	Brushed Stainless Steel
Materials:	Stainless Steel
Measurements:	L 1800 D 500 H 430 mm / L 70.9 D 19.7 H 16.9 in
Weight:	72.5 kg / 159.8 lb

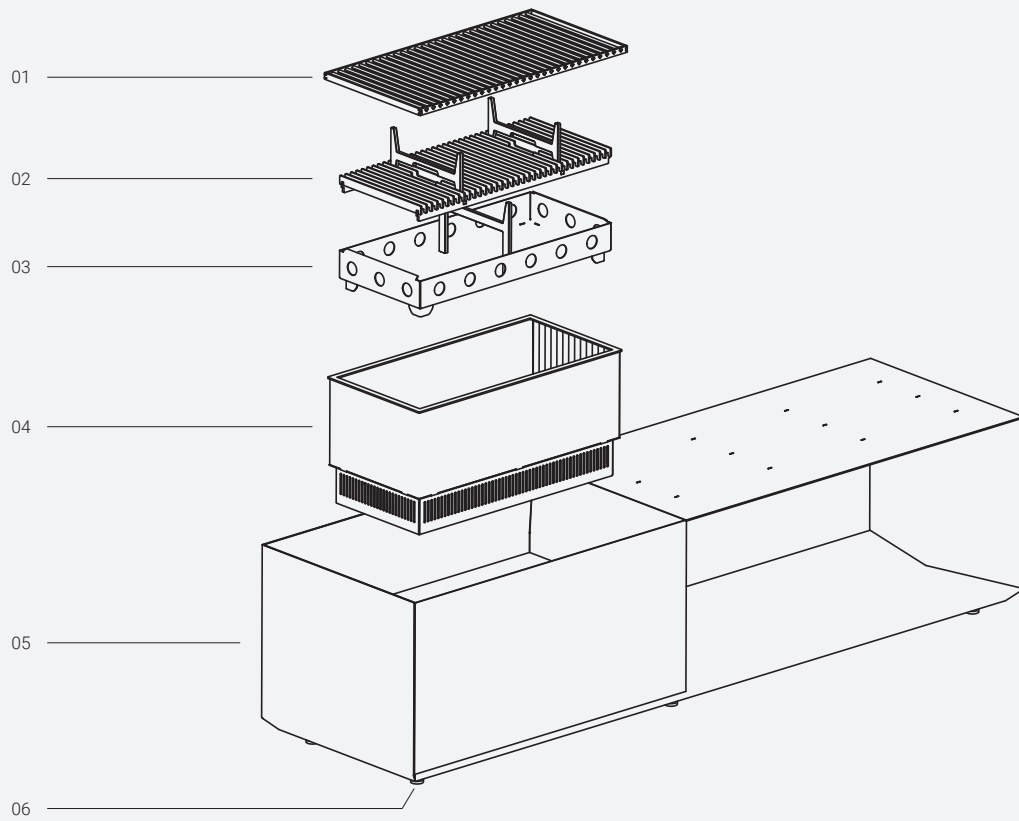
## Color & Sample

Frame available in

**Brushed Stainless Steel. AISI 316L, Scotch-Brite**  
 Röshults Sample: ME003



Brazier  
Parts



**NO DESCRIPTION**

01	Upper grate
02	Fire grate
03	Fire tray
04	Fire basket
05	Brazier frame
06	Adjustable foot x 6

This manual is for Röshults Brazier wood edition. Please save this instruction manual for future reference.

## Safety instructions

### For your safety, please note:

- Read the instructions before using the appliance.
- For outdoor use only.
- Don't allow young children to operate the Brazier.
- The Brazier must be placed outdoors on a level surface with proper ventilation. Place the Brazier at least 3 m from trees and combustible materials.
- Make sure that the brazier is placed in an open space with a minimum of one meter from flammable material like furniture, cushions and fabrics, etc.
- Use caution when using the Brazier.  
The Brazier will be hot and can cause burn injuries.

## Before first use

- Unpack the Brazier and make sure all parts are placed in order according to explode view on previous page.
- Place the Brazier on a flat, horizontal, stable surface. Do not place on sand or other soft surface that risk the Brazier to sink into the ground or floor.
- Make sure that the placement of the Brazier follows safety regulations.
- Make sure that the adjustable feet are fixed on average 30 mm to allow for airflow through the Brazier.
- You are ready to Brazier. See "Igniting the Brazier" to get it started.

## ⚠ Warning

- Keep children and pets far away from the Brazier.
- This appliance can be used by children aged from 8 years and above and persons with reduced physical, sensory or mental capabilities or lack of experience and knowledge if they have been given supervision or instruction concerning use of the appliance in a safe way and understand the hazards involved.
- The Brazier is designed for outdoor use only. Do not use the Brazier indoors! Smoke can cause life threatening injuries.
- The Brazier is for entertainment purposes only. Do not use for cooking.

- The Brazier is not intended to be used in recreational vehicles or on boats.
- Do not use the Brazier in high winds.
- The Brazier gets very hot, never move the Brazier when in use. Make sure that pressure vessels and combustible liquids such as, gasoline, alcohol, etc. are stored far away from the Brazier.
- The Brazier should be cleaned thoroughly and regularly. Do not use cleaning detergent containing solvents or alcohol.
- Do not use sharp objects to clean the Brazier to avoid surface damage.
- If cracks or holes are found do not use the Brazier.
- Oven mitts should always be used when adding more wood to the Brazier and handling the grate.
- Never use the Brazier for other than wood burning.
- Only use birch wood when using the Brazier.  
The wood must always be placed on the andiron or on the grate. Otherwise, the Brazier can be damaged. Don't overfill the andiron or grate.
- Don't use more than 4 logs of wood at the same time.  
If you use more than 4 logs of, the Brazier could get over heated.
- Never use water to control or extinguish the fire or smoldering.
- Never pour any kind of flammable liquid on the fire or smoldering or wood already lit.
- Do not remove the ashes until the wood and coal have burned out and cooled completely. Do not put the Brazier in storage until it is completely cooled off.
- Always put coal and ashes from the Brazier into a metal container designed for the purpose. Never dispose of coal and ashes where there is a risk of fire hazard or someone stepping on them.

## How to operate the Brazier

### Igniting the Brazier

1. Fill up the grate with maximum 4 logs of wood in the fire crate. If possible, use birchwood. Make sure that the logs are not too big so that the upper grate can still be placed properly.
2. Light them with paraffin tablets or similar.
3. Add more firewood as the fire burns, but keep the number of logs to no more than 4 burning logs at the same time.

After use, let the Brazier cool down completely. Clean the Brazier thoroughly with a cloth and soapy water. The Brazier grate should be cleaned with a dishing-brush and light detergent.

## Storage

The Brazier can be stored outdoors all year round without protection. For storage in a separate location the Brazier it must cool down completely before being moved.

Empty the ashes and clean it to minimize getting sot in places you don't like it to be. You will find information on how to empty the ashes in the Care & Maintenance section.

## User Checks & Repairs

Inspect the Brazier on a regular basis. Make sure that there are no cracks in the fire tray or fire basket. If cracks or holes are found do not use the Brazier before contacting Röshults for further information and repair. Do not attempt to reparaire the Braizer parts on your own.

## Care & Maintenance

To avoid problems, be sure to inspect all the Braziers parts after use. Wipe down with soapy water and a coarse cloth. Keep the Brazier clean for extended durability. After the final seasons use: Empty the fire grate, brush off the Brazier. Keep the Brazier in a warm and dry place, preferably covered with a Röshults Luxury Cover.

### Emptying the ashes

Wait until the Brazier has cooled down completely to empty ashes.

1. Remove the upper grate.
2. Remove the fire grate by pulling the outer andirons.
3. Lift the fire basket by pulling the middle andiron.
4. Empty the ashes from the fire basket.

Always use a metal container for the coal and ashes that is designed for this purpose. Never empty in plastic container or other materials that risk catching on fire.

## Warranty

The warranty for The Brazier only includes defects in workmanship and missing parts, that will be replaced. Cost for delivery, assembly, replacing of worn parts (fire barrel, cooking grates) and other are not included in the warranty. The warranty is not valid in case of own modification or other alteration of the Brazier. Only valid with receipt.

In the event of misuse of the Brazier, the warranty does not apply.

