

User Manual

MODULE COOKER HOB 50 - NG



RÖSHULTS



Module Cooker Hob 50

Design:	Broberg & Ridderstråle
Art no:	200015 / 200016, NG 20 mbar (Adapted for EU market)
Colours:	Anthracite / Brushed Stainless Steel
Materials:	Stainless Steel
Measurements:	L 500 D 500 H 331 mm / L 19.7 D 19.7 H 13 in
Weight:	18.5 kg / 40.8 lb
Marking label:	CE
Power EU:	4,5kW

Color & Sample

Frame available in



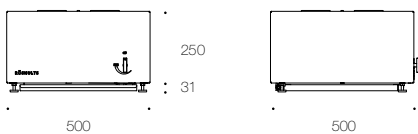
Anthracite. Akzo Nobel

Røshults Sample: CO004



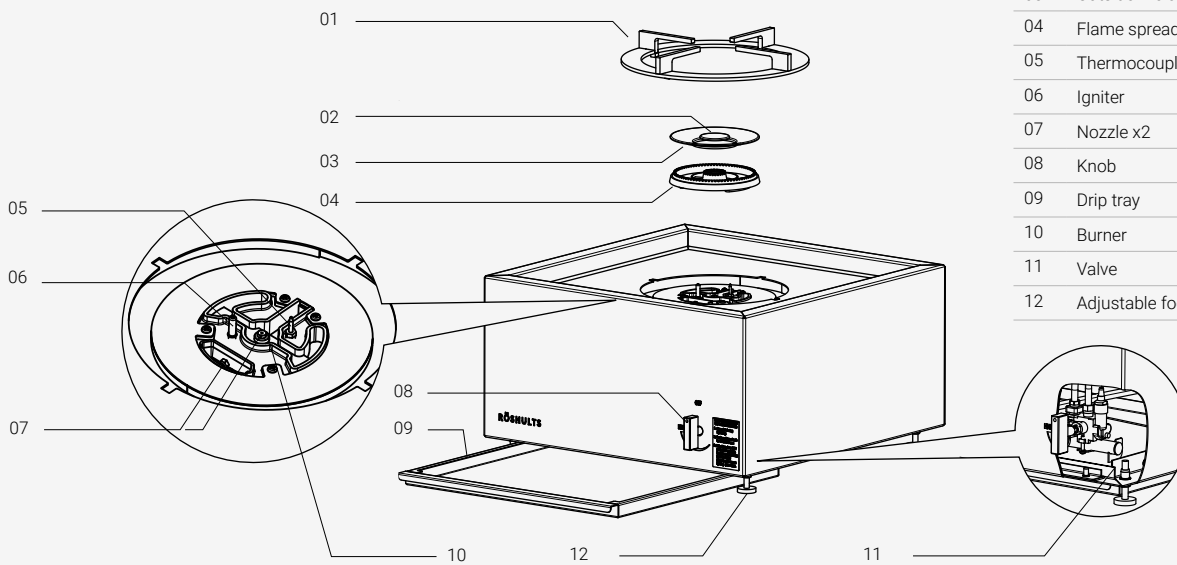
Brushed Stainless Steel. 316L

Røshults Sample: ME003



Module Cooker Hob 50

Parts



NO	DESCRIPTION
01	Pan support
02	Inside fire cap
03	Outside fire cap
04	Flame spreader
05	Thermocouple
06	Igniter
07	Nozzle x2
08	Knob
09	Drip tray
10	Burner
11	Valve
12	Adjustable foot

Note! The appliance shall be used outdoors

Safety instructions

Please save this instruction manual for future reference.
 This Cooker Hob is designed only for outdoor use.
 Don't allow children to operate this cooker hob.

⚠ Warning!

For your safety, please note:

- Use outdoors only.
- Read the instructions before using the appliance.

Before the first use

- **Warning!** Accessible parts may be very hot. Keep children away. Use protective glove when handling particularly hot components.
- This appliance must be kept away from flammable materials during use.
- Do not move the appliance during use.
- Turn off the gas supply after use.
- Do not modify the appliance.
- The length of the hose shall not exceed 1.5m.
- Do not use flammable liquids to light or relight your Cooker Hob.
- Please follow the assembly instructions in this manual. Do not modify the assembly, or change any component parts. Failure to comply with these instructions may cause risk during use.

- In the event of a gas leak, immediately shut off the gas supply, extinguish any open flame. Check the hoses for damage and / or poor connection. If the leak continues, immediately contact approved gas dealer. Do not use a naked flame to check for gas leaks.
- Do not attempt to disconnect any gas fittings or connectors when the appliance is being used.
- Never leave your cooker hob unattended when in use. Always cook with great care.
- This appliance should be cleaned on a regular basis. During cleaning, take care not to damage any component parts, such as the burner or valves.
- Check the flexible hoses at least once per month, and each time you change the gas cylinder. If you find signs of cracking or deterioration, replace with a new hose of similar length and quality.
- We recommend that this appliance is serviced by an approved technician at least once per year. Do not attempt to service this appliance yourself.
- During the operation, the appliance shall be placed in a ventilated area.
- The user shall not manipulate any parts that are sealed by manufacturer or his agent.
- Any modification of the appliance may be dangerous.

This appliance complies and is tested in accordance with Regulation (EU) 2016/426 - appliances burning gaseous fuels and EN484:2019.

Safety practices to avoid personal injury

When properly cared for, your Röshults Cooker Hob will give safe, reliable service for many years. However, extreme care must be used since the cooker hob produces intense heat and that can increase accident potential. When using this appliance, basic safety practices must be followed, including the following:

- Read this Care and User Manual carefully and completely before using your cooker hob to reduce the risk of fire, burn hazard or other injury.
- Do not repair or replace any part of the cooker hob unless specifically recommended in this manual. All other service should be referred to a qualified technician.
- **Children should not be left alone or unattended in an area where the cooker hob is being used. Never allow them to sit, stand or play on or around the cooker hob at any time.**
- **Do not store items of interest to children around or below the cooker hob or in the sideboard. Never allow children to crawl inside of the cooker hob or sideboard.**
- Never let clothing, pot holders or other flammable materials come in contact with or get too close to the pan support, burner or hot surface until it has cooled. Fabric may ignite and result in personal injury.
- For personal safety, wear proper apparel. Loose fitting garments or sleeves should never be worn while using this appliance. Some synthetic fabrics are highly flammable and should not be worn while cooking.
- Only certain types of glass, heat-proof glass ceramic, earthenware, or other glazed utensils are suitable for cooker use. These types of materials may break with sudden temperature changes. Use only on low or medium heat settings according to the manufacturer's directions.
- Do not heat unopened food containers as a build-up of pressure may cause the container to burst.
- Use a covered hand when using the cooker hob. Never lean over the Cooker Hob.
- **When lighting the burner, always pay close attention to what you are doing.**

Before you start the Cooker Hob

Read the instruction manual before installing and using the appliance. These Instructions are valid only for those countries which are indicated on the label on the appliance. The manufacturer cannot be held responsible for any damage to things or persons caused by an incorrect installation or by incorrect use of the appliance. The manufacturer reserves the right to make changes to his products when it is considered necessary and useful without affecting the essential features regarding safety and function

Technical manual for the installer

The installation, all regulations, changes and maintenance referred to in this part must only be carried out by qualified staff. Any wrong installation can cause damage to persons, animals or things which the manufacturer cannot be held responsible for. The safety and automatic regulation devices on the appliances can only ever be changed by the manufacturer or by the authorized supplier.

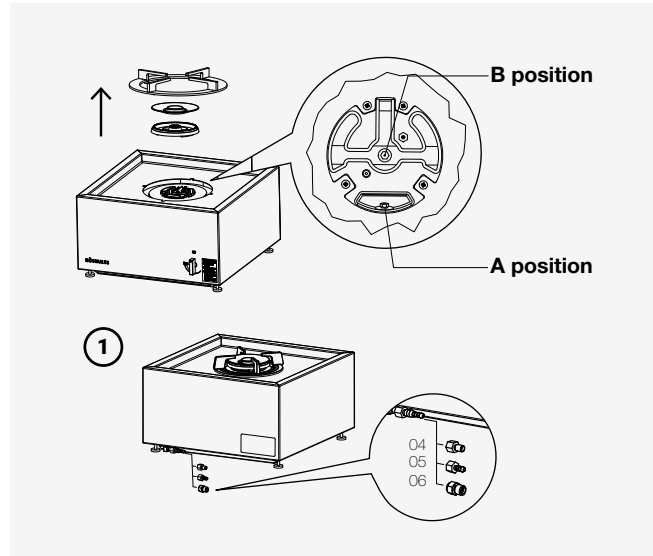
THE INSTALLATION OF THE APPLIANCE MUST BE ACCORDING TO THE NATIONAL LAW.

List of conversion kits:

NO	DESCRIPTION	Q'TY
01	Burner injector size Nozzle Ø 0,70	1 B position
02	Burner injector size Nozzle Ø 1,58	1 A position
03	Gas Connection coupling SE	1 (Assembled on Cooker Hob)
04	Gas Connection coupling DE	1
05	Gas Connection coupling UK	1
06	Gas Connection coupling FR	1

Changing gas connection

1. Select and connect the gas connection suitable for your country regulation.

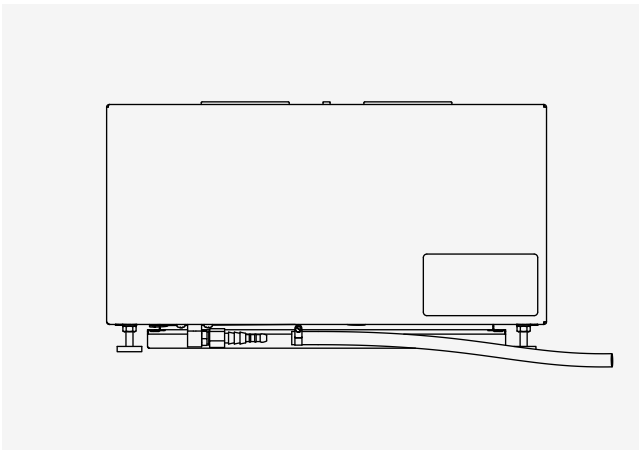


This Cooker hob is adapted for Natural gas, 20mbar Marking label on your cooker hob, is as following:

Module Cooker Hob 50					
Manufacturer name address	Röshults Svenska Hantverk AB Kärriolsvägen 7, 554 75 Jönköping, Sweden				
Gas Category	I3 + (28-30/37)	I3B/P(30)	I3B/P(50)	I2H ●	I2E ●
Gas and Supply Pressure	G30 Butane at 28~30 mbar G31 Propane at 37 mbar	G30 Butane and G31 Propane at 30mbar	G30 Butane and G31 Propane at 50mbar	Methane G20 20mbar	Methane G20 20mbar
Country Code	BE, CH, CY, CZ, ES, FR, GB, GR, IE, IT, LT, LU, LV, PT, SK, SI	BE, CY, DK, EE, FR, GB, HU, IT, LT, NL, NO, SE, SI, SK, RO, HR, TR, BG, IS, LU, MT, FI	AT, CH, DE, SK	AT, CH, CZ, DK, EE, ES, FI, FR, GB, GR, IE, IT, LT, LV, NO, PT, RO, SE, SI, SK	DE, LU, PL, RO
Burner	1	1	1	1	1
Nominal Heat Input (single burner)	4.0kW	4.0kW	4.0kW	4.5kW	4.5kW
Burner Injector Size	1.00mm / 0.44mm	1.00mm / 0.44mm	0.75mm / 0.43mm	1.58mm / 0.70mm	1.58mm / 0.70mm
Service center	Röshults Svenska Hantverk AB		Made in LT		

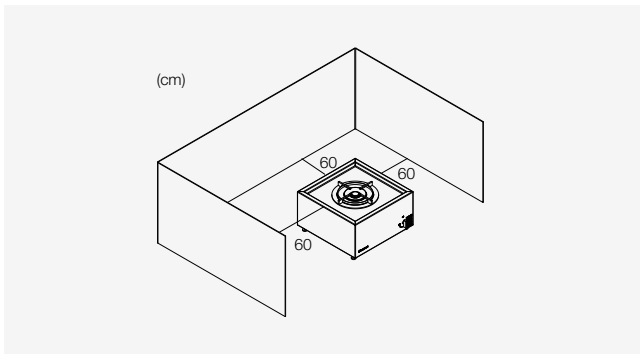
Connecting gas line

The connection of gas cookers must be operated by professional personnel with a gas maintenance qualification, and ensure it complies with the statutory regulations and connection requirements of the local flammable product management department. (please see the fuel gas administrative departments documents' requirement, you can consult the gas products counter of each department store and purchase special hose and pipe clip.)



Installation

The distance between the appliance and the wall is as follows for reference.



⚠ Warning!

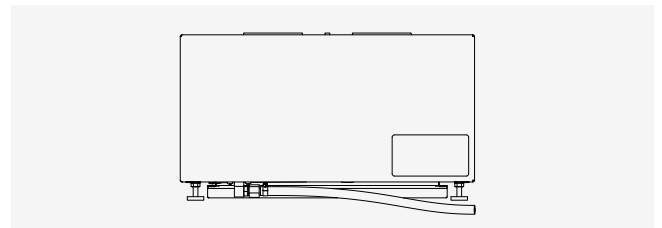
Before attempting to light your Cooker Hob you must refer to your lighting instructions and warning / safety precautions.

Check the hose before each use, searching for cracking, cuts or any abrasions. If the hose is found to be faulty in any way do not attempt to use your Cooker Hob.

Safety precautions

- Always test gas line for leaks at connector with soapy water after making connections.
- Use oven gloves when using the Cooker Hob.
- Use pan suitable for this Cooker Hob, minimum size diameter 13 cm and maximum size diameter 28 cm.

- Be prepared if an accident or fire should occur. Know where the first aid kit and fire extinguishers are and know how to use them.
- Keep any electrical supply cord and the fuel supply hose away from any heated surfaces.
- Always cook with great care.
- Do not heat any unopened glass or metal container of food on the Cooker Hob. Pressure may build up and cause the container to burst, possibly resulting in serious personal injury or damage to the Hob. It is recommended to use protective gloves when operating the appliance, especially handling particularly hot components.



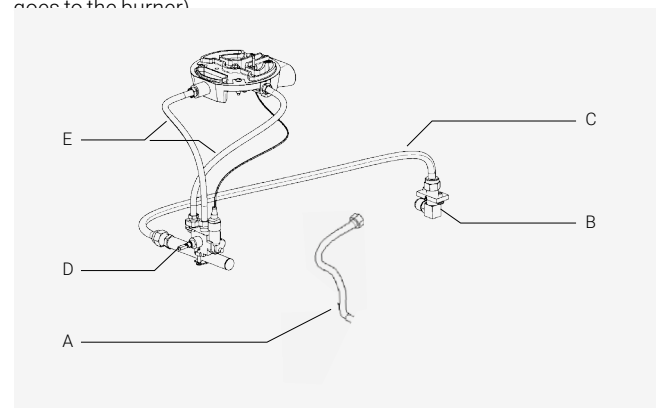
Soap water gas leak test

Note: After the gas pipeline is connected, the leakage test must be carried out. Apply a soft brush with soap and water to the connecting parts, open the gas valve, and carefully observe whether there is bubble production.

Soap bubbles will appear where a leak is present. If a leak is present, immediately turn off the gas supply, tighten any leaking fittings, turn gas on, and recheck. Should the gas continue to leak from any or all of the fittings, turn off the gas supply, and contact our customer service at +46 36 440 32 10.

To test

Make sure all control valves are in the "OFF" position. Turn the gas supply on. Check all connections from NG connection up to and including the connection to the manifold pipe assembly (the pipe that goes to the burner).



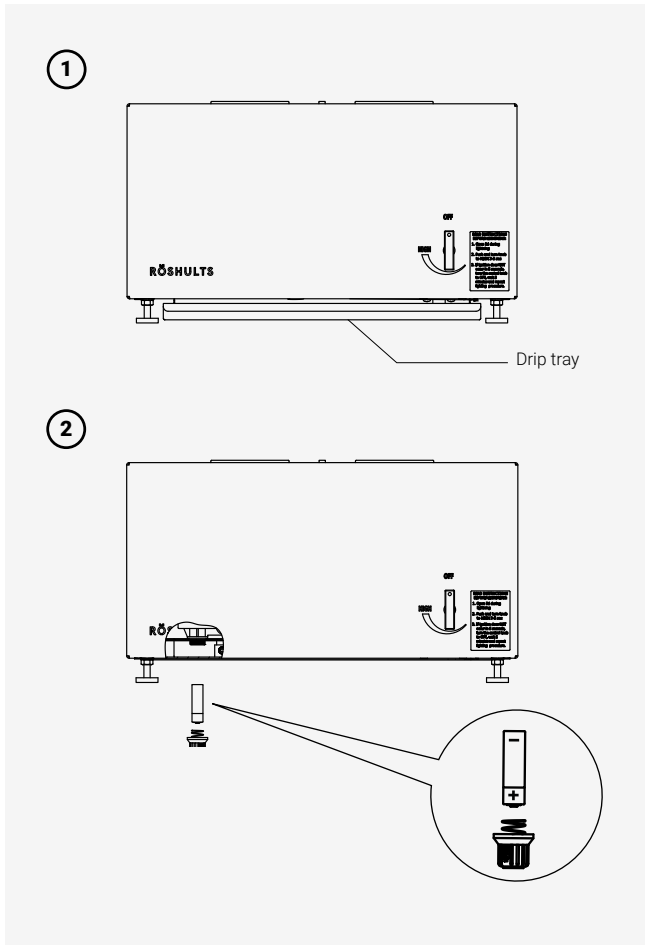
Apply a soapy water mixture to the following (see points A-E):

- A. Natural gas connection.
- B. L type connector.

- C. The inlet end of the corrugated pipe is connected to the gas valve, and the other end is connected with L type connector.
- D. Gas valve.
- E. The ends of the pipes connected to Valve and Burner.

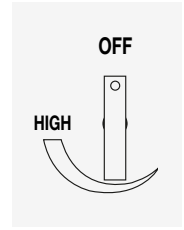
Battery installation

The battery cover is located the left side of the product's bottom shell, as shown in the figure. Install the battery in the box according to the positive and negative directions. Before assembling the battery remove the drip tray. If the ignition is reduced frequently during using, replace the battery in time. In order to guarantee ignition system is effective for a long time, please use high-energy alkaline batteries.



Lighting the Cooker Hob

1. Press and turn the knob to "HIGH", at the same time. The ignition electrode can be heard continuously and hold for 3 to 5 seconds.
2. If ignition does not occur in 5 seconds, turn the knob to "OFF", wait 5 minutes and repeat lighting procedure.
3. After fire safety protection device (thermocouple induction) starts, release the knob.



Lighting Using match light with an extension rod

If the burner will not light after several attempts then the burner can be match lit.

1. Turn OFF all burner valves.
2. Place a lighted match on an extension rod and hold next to the burner.
3. Turn the control knob to the "HIGH" position and press knob. Burner should light immediately.
4. If the burner does not light in 4 seconds turn the knob off, wait 5 minutes and repeat above procedures.

Warning!

Keep your face and hands as far away from the grill as possible when lighting it.

Warranty, Care & Maintenance

Storage

When you are using your Cooker Hob after a period of storage, please ensure to check for gas leaks and check for any obstructions in the burner etc. before using.

Always follow the cleaning instructions to ensure the Cooker Hob is safe. If the Cooker Hob is stored outdoors ensure to check that all areas under the front panel are free from any obstructions (dirt, insects etc.) as this may affect the flow of gas. Store your Cooker Hob in a cool dry place. It may be necessary to dry the Cooker Hob and the inside of the cover if used

Maintenance

Maintenance is recommended after each use for your Cooker Hob, but it is absolutely necessary to perform maintenance at least every 90 days. By doing so, you will extend the life of your Cooker Hob. Your Cooker Hob is easy to clean with minimum effort, just follow these helpful hints for cleaning convenience.

Prior to cleaning or maintenance, disconnect it from the gas supply and make sure the appliance is cool. Regularly check if the pipe is on a good state, no abrasion or broken. Do not use steam equipment to clean the appliance, as the steam will get in to the appliance, which can result in danger.

Cleaning of flame spreader

Remove the flame spreader from the hob for cleaning with soapy solutions, it's best to use a soft cloth which used for the silver cleaning. During or after cleaning, make sure to keep the flame spreader lid and the burner dry, and put them in the corresponding positions. It is very important to check the right position of the flame spreader lid, as the wrong position may result in serious damage

The Cooker Hob is made from stainless steel and aluminium. Some parts of the frame, depending on the model, can be powder coated on top of stainless steel material.

The easiest way to keep your Cooker Hob in a good condition we recommend cleaning the Cooker Hob after each use. Use lukewarm water, soap and a sponge.

- Check the sand in the drip tray regularly to ensure that it is dry and clean. Change the sand as required (use fine-grain sand or cat litter box sand)

Outside/frame of the Cooker Hob

- Wipe down the outside of the Cooker Hob to ensure that there is no residual marinade or fat/grease that could corrode the surface. Use soap and water to remove any stubborn residues.
- For cleaning powder coated surface, use a cloth or a soft sponge.

Regular Checks & Maintenance

Hose

- Rubber has a limited useful life and becomes worn over time. If there is any damage or cracks, replace the hose immediately.
- Check the rubber gasket on the connection that is screwed into the gas cylinder to ensure that it is not cracked or dried out.

Troubleshooting

Spider and insect Warning!

Spiders and insects can nest in the burner and nozzle, and cause the gas to flow incorrectly. This can cause a fire to occur inside the Cooker Hob frame. Secure the function by removing the flame spread and make sure to clean it, and the burner from spiders and insects.

When to look for spiders

You should inspect the burner at least once a year or immediately after any of the following conditions occur:

1. The smell of gas in conjunction with the burner flames appearing yellow.
2. The cooker hob does not reach temperature.
3. The cooker hob heats unevenly.
4. The burner make popping noises.

Before calling for service

If the cooker hob does not function properly, use the following checklist before contacting your dealer for service.

FAQ

Q: How long do I need to wait before I can start cooking food on the cooker hob?

A: You can start cooking immediately.

Problems

Cooker Hob won't light when the control knob is rotated.

- Check the gas supply.
- Clean wire and/or electrode by rubbing with alcohol and clean swab.
- Wipe with dry cloth. Make sure the wire is connected to electrode assembly.

Low heat with knob in the position "HIGH".

- Is the fuel hose bent or kinked?
- Check the Inflow bby unscrewing tthe gas connection cupling. Is there any obstacle in the connection?
- Is the cooker hob in a dusty area?
- Is there adequate gas supply available?

Flame is yellow or orange, in conjunction with the odor of gas.

- Call our customer support service line. +46 36 440 32 10

Solutions

Warranty

Model: Module Cooker Hob 50
Stainless Steel Outdoor Cooker Hob

Röshults warrants to the original consumer purchaser of each Outdoor Cooker Hob that when subject to normal residential use, it is free from defects in workmanship and materials for the periods specified below. This warranty excludes cooker hobs used in rental or commercial applications. There will be a shipping and handling charge for the delivery of the warranty part(s).

COMPONENT	WARRANTY PERIOD
Burner	5 years
Flame spreaders	3 years
Stainless Steel Pot Holder	3 years
Valve	1 year
Frame, Housing, Cart, Control Panel, Igniter, and Related Parts	1 year
All Stainless Steel Parts	3 years

Our obligation under this warranty is limited to repair or replacement, at our option, of the product during the warranty period. The extent of any liability of Röshults under this warranty is limited to repair or replacement.

This warranty does not cover normal wear of parts, damage resulting from any of the following:

- Negligent use or misuse of the product.
- Use on improper fuel/gas supply.
- Use contrary to operating instructions.
- Alteration by any person other than our factory service center.

The warranty period is not extended by such repair or replacement.

Warranty claim procedure

If you require service or parts for your cooker hob, please contact our Warranty Service Center for factory direct assistance. Our hours of operation are 8 AM to 5 PM CET.

Our phone number: +46 36 440 32 10

Our email: info@roshults.com

Please direct all correspondence to your local dealer.

Product repair as provided under this warranty is your exclusive remedy. Röshults shall not be liable for any incidental or consequential damages for breach of any express or implied warranty on its products. Except to the extent prohibited by applicable law, any implied warranty or merchantability or fitness for a particular purpose on this product to the duration of the above warranty. Some states do not allow the exclusion or limitation of incidental or consequential damages, or allow limitations on how long an implied warranty lasts, so the above limitations or exclusions may not apply to you. This warranty gives you specific legal rights, and you may have other rights, which vary from state to state.

