

# Assembly Instructions

OPEN KITCHEN CABINET FRIDGE 50

EN

RÖSHULTS





### Open Kitchen Cabinet Fridge 50

Design:	Broberg & Ridderstråle
Art no:	200027 / 200028
Colours:	Anthracite / Brushed Stainless Steel
Materials:	Stainless Steel
Measurements:	L 445 D 500 H 900 mm / L 17.5 D 19.7 H 35.4 in
Weight:	21.5 kg / 47 lb

### Fridge Röshults + Dometic

Design:	Dometic
Art no:	100053
Colours:	Stainless steel
Materials:	Stainless steel, Plastic, Coated metal frame
Measurements:	L 380 D 500 H 535 mm / L 15 D 19.7 H 21 in
Weight:	18 kg / 39 lb
Gas Category:	R134a, 55g
Voltage:	12/24 V DC
Storage volume (approx):	38,5 l
Average power consumption:	Approx. 40 W
Current consumption:	1.5 – 1.8 Ah/h depends on ambient temperature at +5 °C interior temperature.
Temperature range:	Fridge temperature: Fixed point temperature preset at +5 °C (±1 °C) Rated for outdoor temperature: 1°C - 38°C
Insulation:	Polyurethane (PU) foam all around
System:	Automatic reverse pole protection. Fully hermetic compressor with integrated control electronics. Low voltage protection / electronic fuse. Mechanical, continuously variable thermostat.
Supplied with:	Removable wire basket
Test marks:	TÜV/GS, e-certified (Automotive EMC Directive)

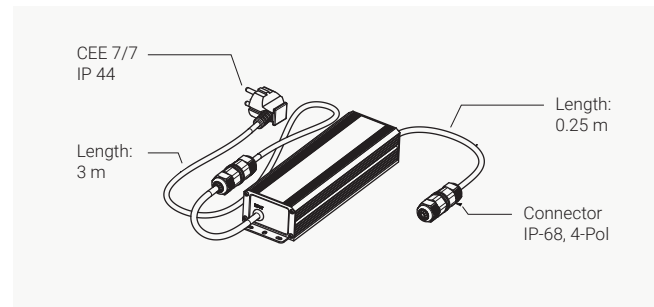
**Note!**

Full capacity is guaranteed up to a surrounding temperature of 38°C. When the fridge is in a place with a higher surrounding temperature, the fridge can not reach its full capacity. During winter keep the Fridge indoors.



## Power Supply Fridge Röshults + Dometic

Model name:	<b>HEP 150W 24VIP67</b>
Rated input voltage	100-240 Vac
Input frequency	47-63 Hz
Power factor:	>0.97 C
Failure rate:	0.3% / 1000 h
Output Voltage Tolerance:	±0.5V
Rated input voltage:	110 – 240 Vw, 50/60 Hz
Input voltage range:	100 – 250 Vw
Input Power:	1 A
Rated output voltage:	25 V $\overline{\text{---}}$
Output voltage, idle:	29 V $\overline{\text{---}}$
Rated output current:	3 A
Max. instantaneous output current (peak) (0,3 seconds):	12 A
Constant output:	110 W
Fuse:	15 A
Weight:	1250 g
Tests /certificates:	<b>CE</b>
Output power:	150 W
Output voltage:	24 Vdc
Output current:	6.25 A max
Ripple & Noise:	<240 mV
Inrush current:	35 A, 310 $\mu$ s
Efficiency:	>88%
Protection class:	I
Max allowed case temperature:	80 °C
Dimension L x W x H:	244 x 71.2 x 45 mm
Weight:	1250 g
Housing material:	Aluminium
Soldering:	Lead-free, compy with RoHS

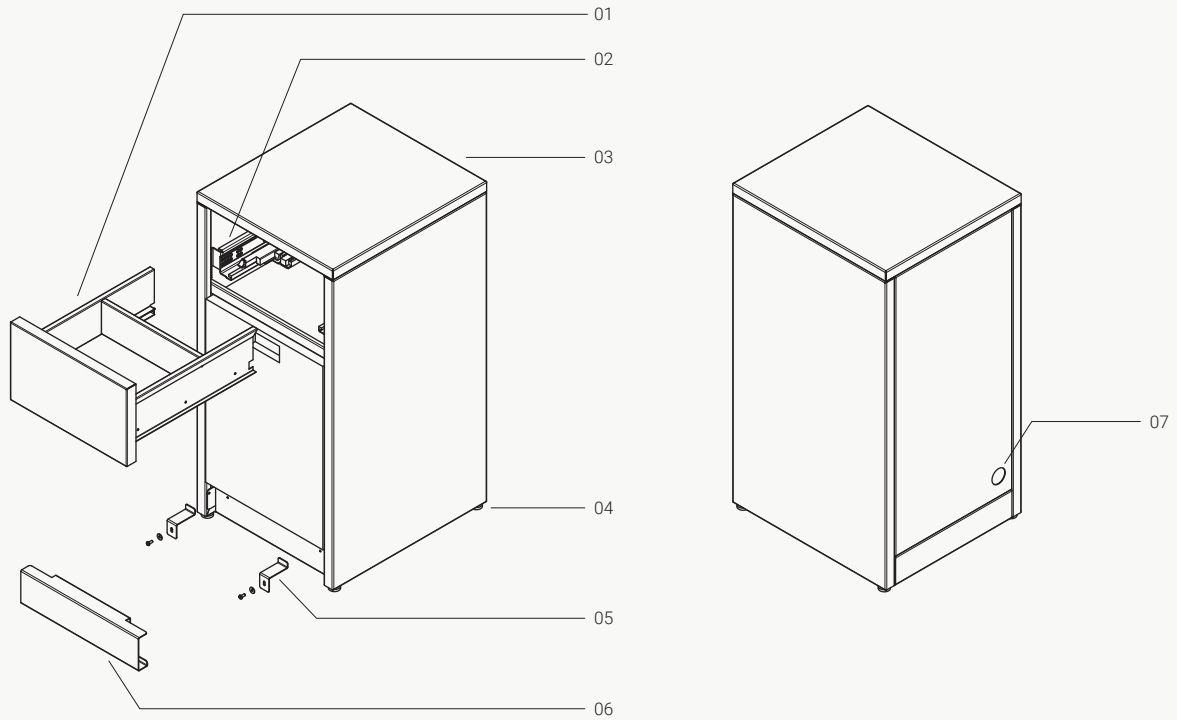


## Warranty

2 years limited warranty on all products.

## Open Kitchen Cabinet Fridge 50

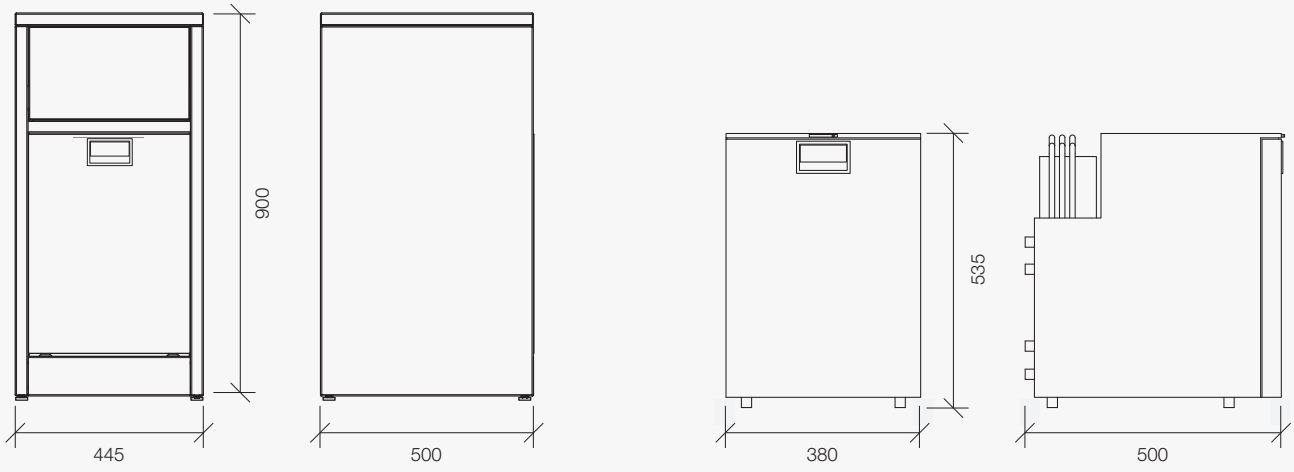
### Parts



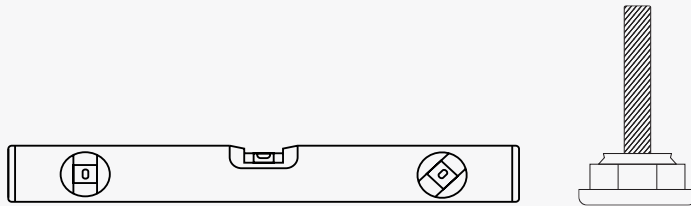
NO	DESCRIPTION
01	Drawer
02	Slide Cabinet Fridge
03	Cabinet frame
04	Adjustable foot

NO	DESCRIPTION
05	Fixing parts, 3 pcs
06	Front Lid
07	Edge protection

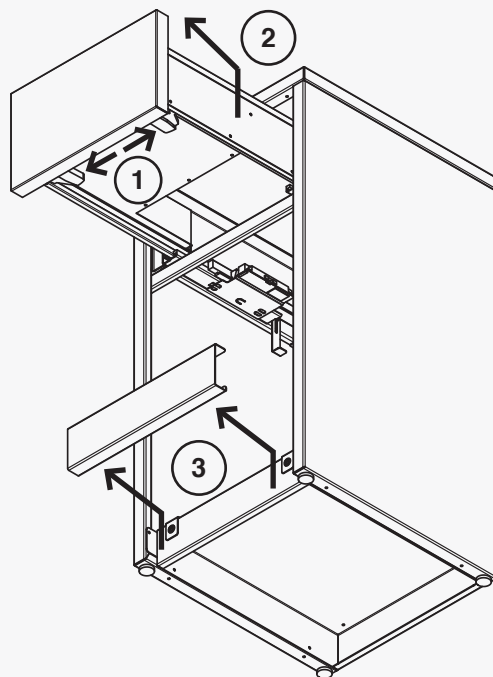
Measurements:



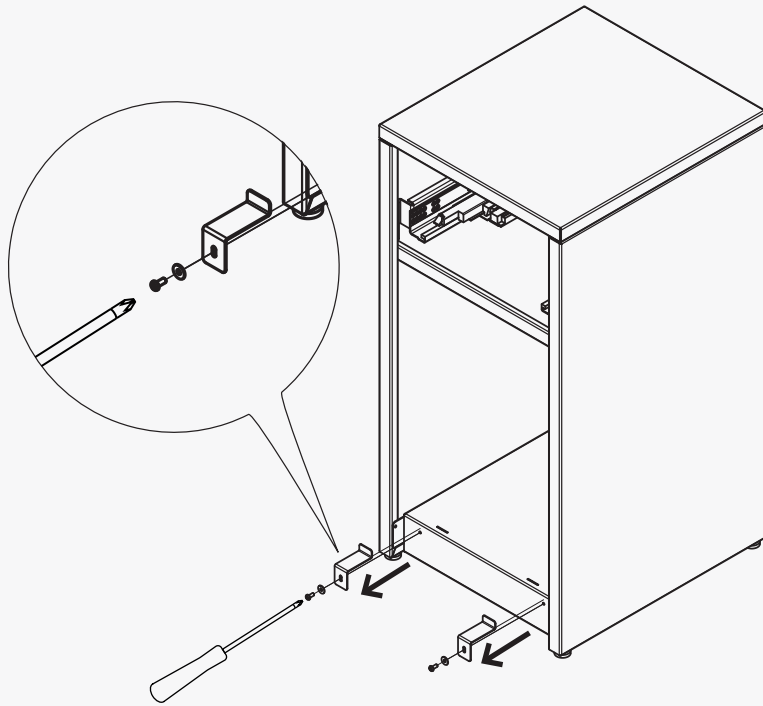
1.



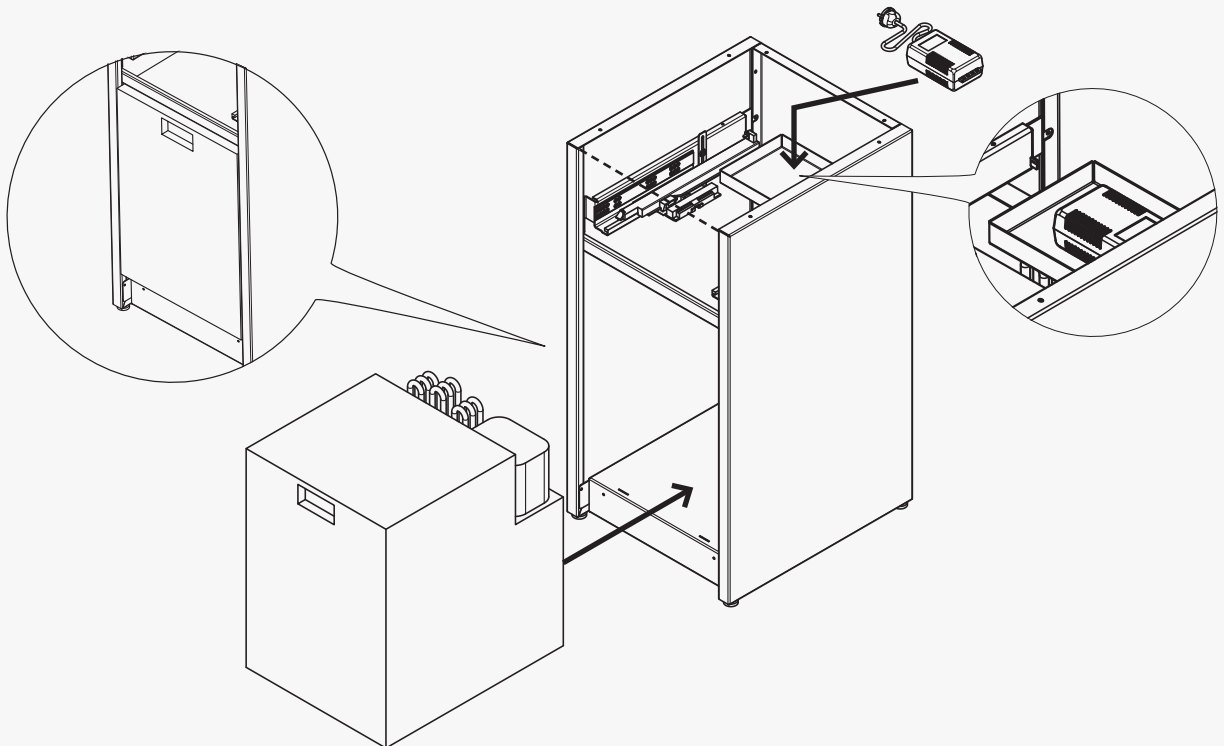
2.



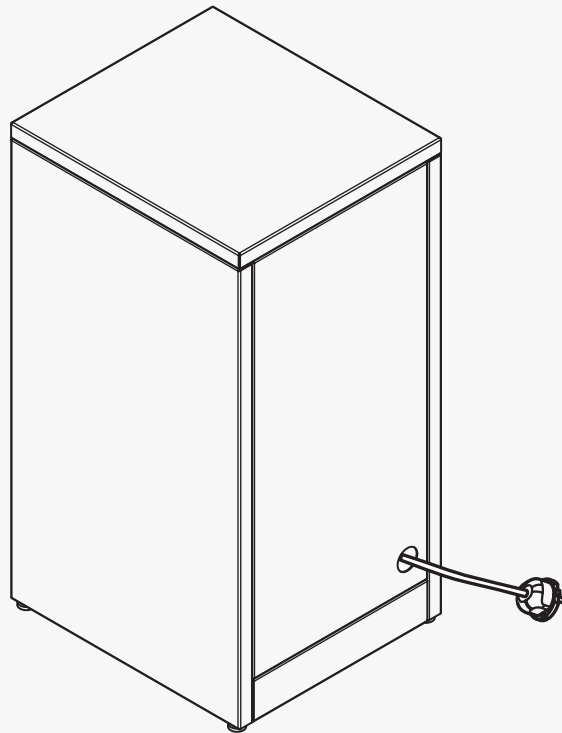
3.



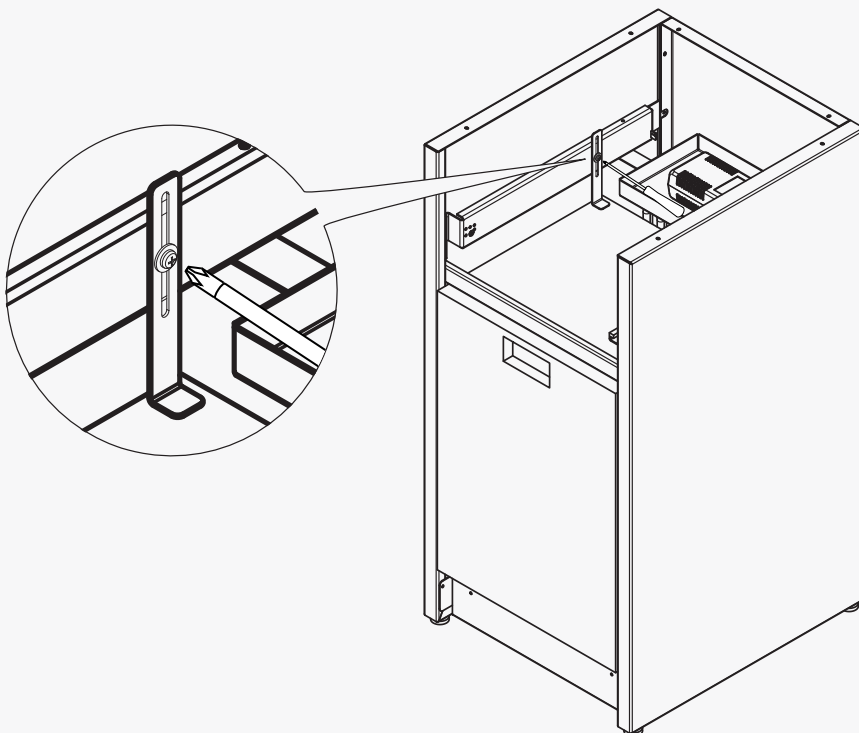
4.



5.

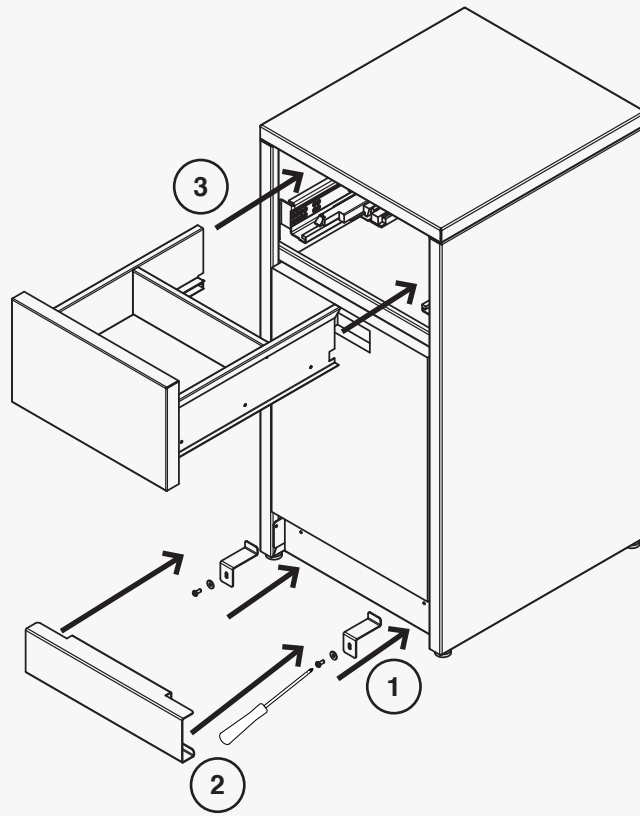


6.





7.



8.

