

Assembly Instructions

GARDEN DINNER TABLE & BENCH

EN

RÖSHULTS



Garden Dinner Table 160

Garden Dinner Table 220

Design:	Broberg & Ridderstråle
Art no:	100204
Colours:	Anthracite, Golden Brown
Materials:	Stainless Steel / Aluminum, Teak
Measurements:	L 1615 D 800 H 725 mm / L 63.6 D 31.5 H 28.5 in
Weight:	40.7 kg / 89.7 lb

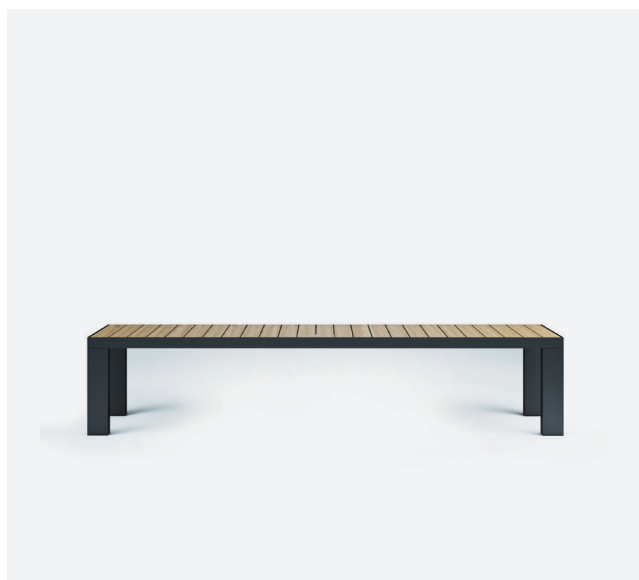
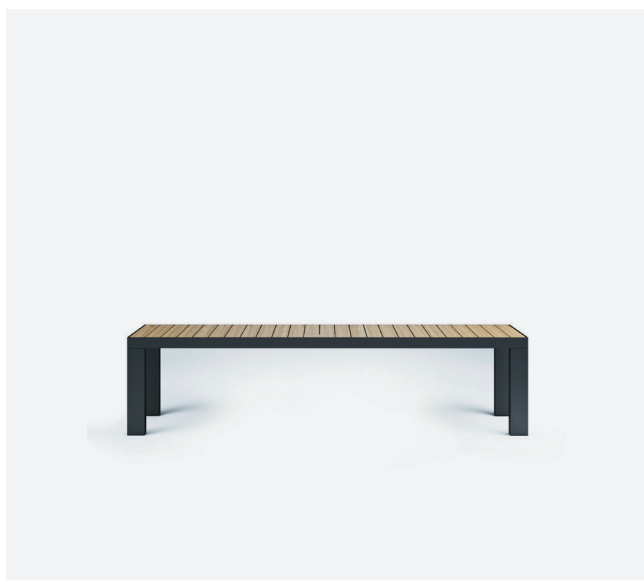
Design:	Broberg & Ridderstråle
Art no:	100205
Colours:	Anthracite, Golden Brown
Materials:	Stainless Steel / Aluminum, Teak
Measurements:	L 2200 D 900 H 725 mm / L 86.6 D 35.4 H 28.5 in
Weight:	53.8 kg / 118.6 lb

Color & Sample

Frame available in



Anthracite. Akzo Nobel
Röshults Sample: C0004



Garden Dinner Bench 125


Design:	Broberg & Ridderstråle
Art no:	100206
Colours:	Anthracite, Golden Brown
Materials:	Stainless Steel / Aluminum, Teak
Measurements:	L 1250 D 370 H 450 mm / L 49.2 D 14.6 H 17.7 in
Weight:	14.8 kg / 32.6 lb

Garden Dinner Bench 183

Design:	Broberg & Ridderstråle
Art no:	100210
Colours:	Anthracite, Golden Brown
Materials:	Stainless Steel / Aluminum, Teak
Measurements:	L 1834 D 370 H 455 mm / L 72.2 D 14.6 H 17.9 in
Weight:	30.3 kg / 66.8 lb

Color & Sample

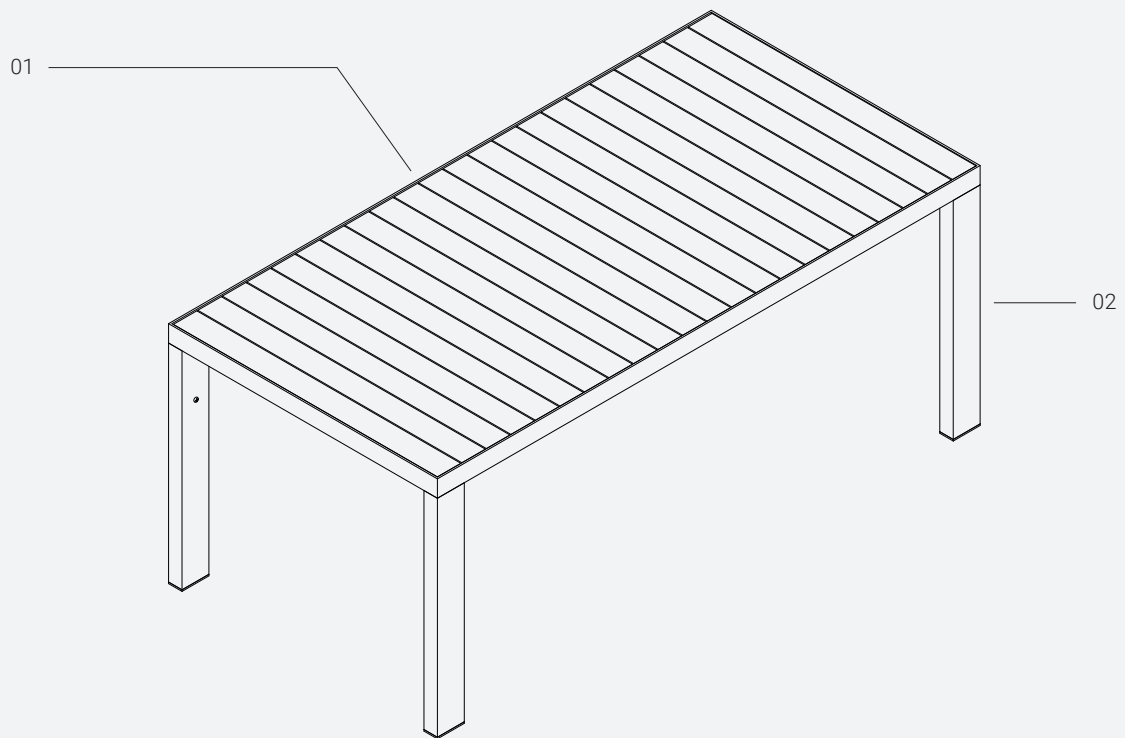
Frame available in

 **Anthracite. Akzo Nobel**
Röshults Sample: C0004

Garden Dinner Table 160/220

Parts

NO	DESCRIPTION
01	Table top
02	Legs



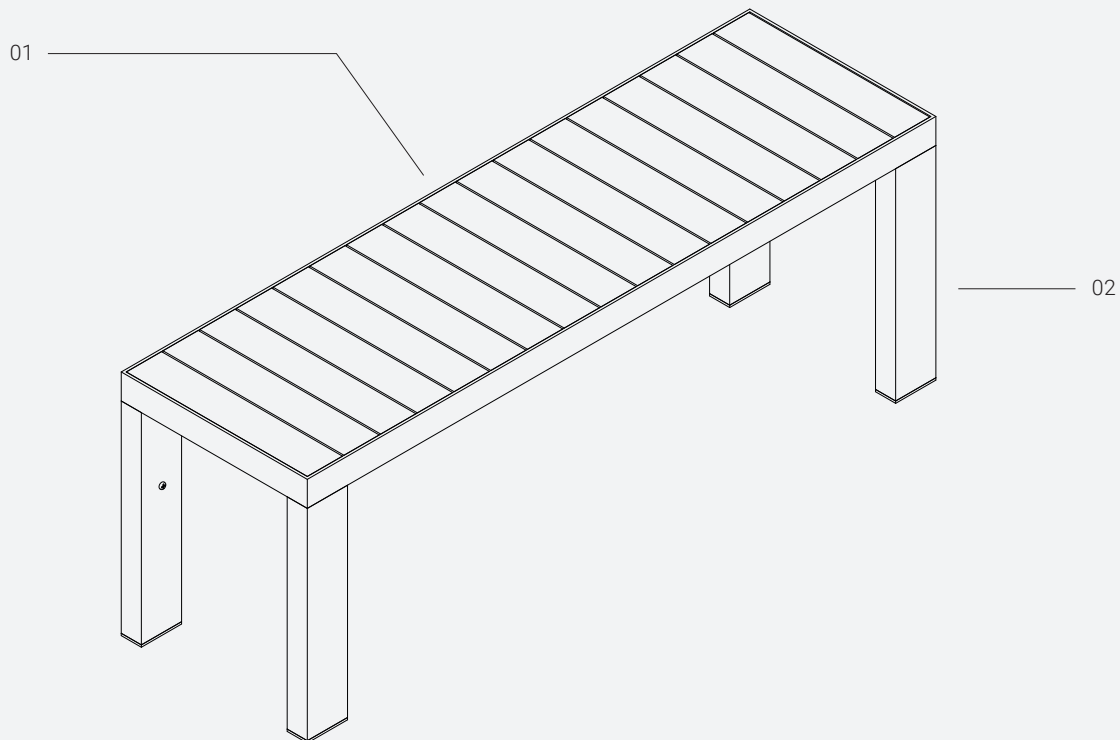
Tools needed for assembly (included):



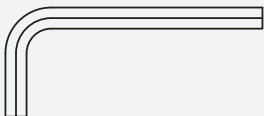
Garden Dinner Bench 125/183

Parts

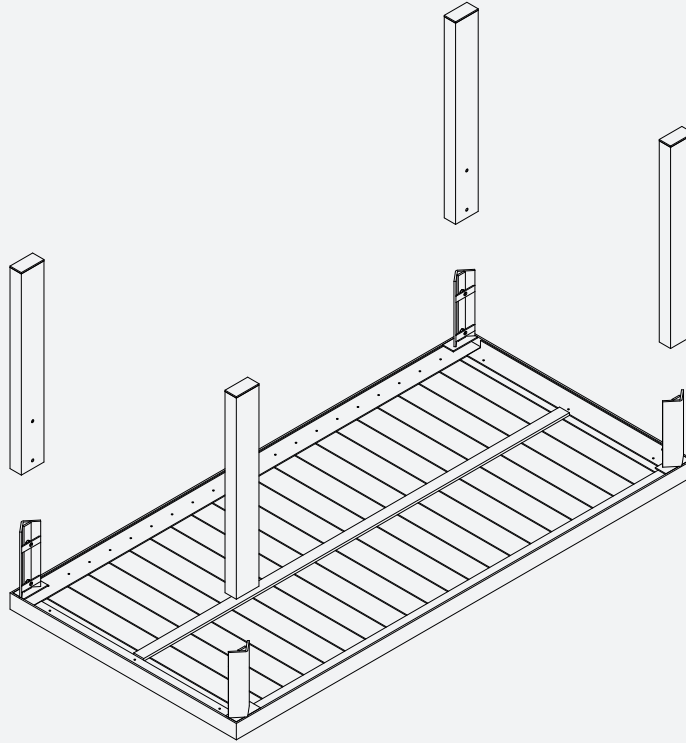
NO	DESCRIPTION
01	Seat slats
02	Legs



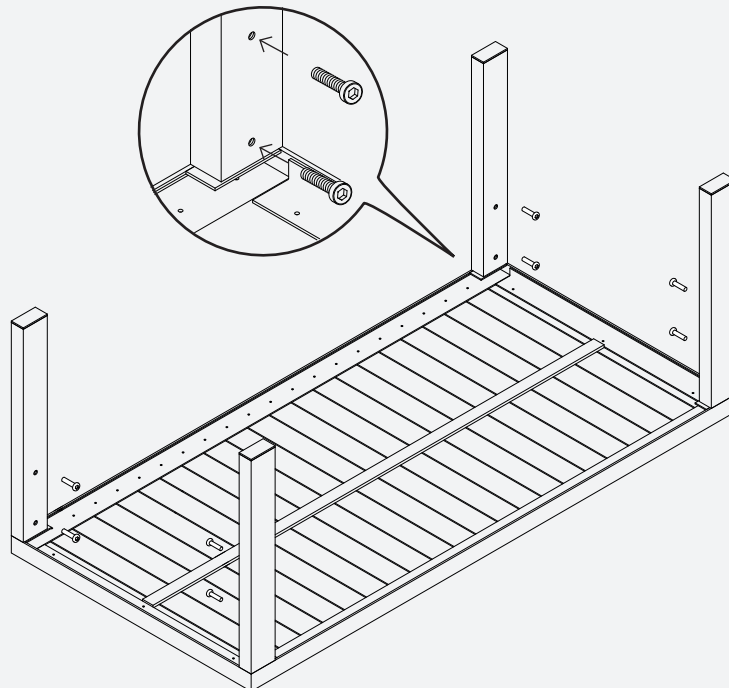
Tools needed for assembly (included):



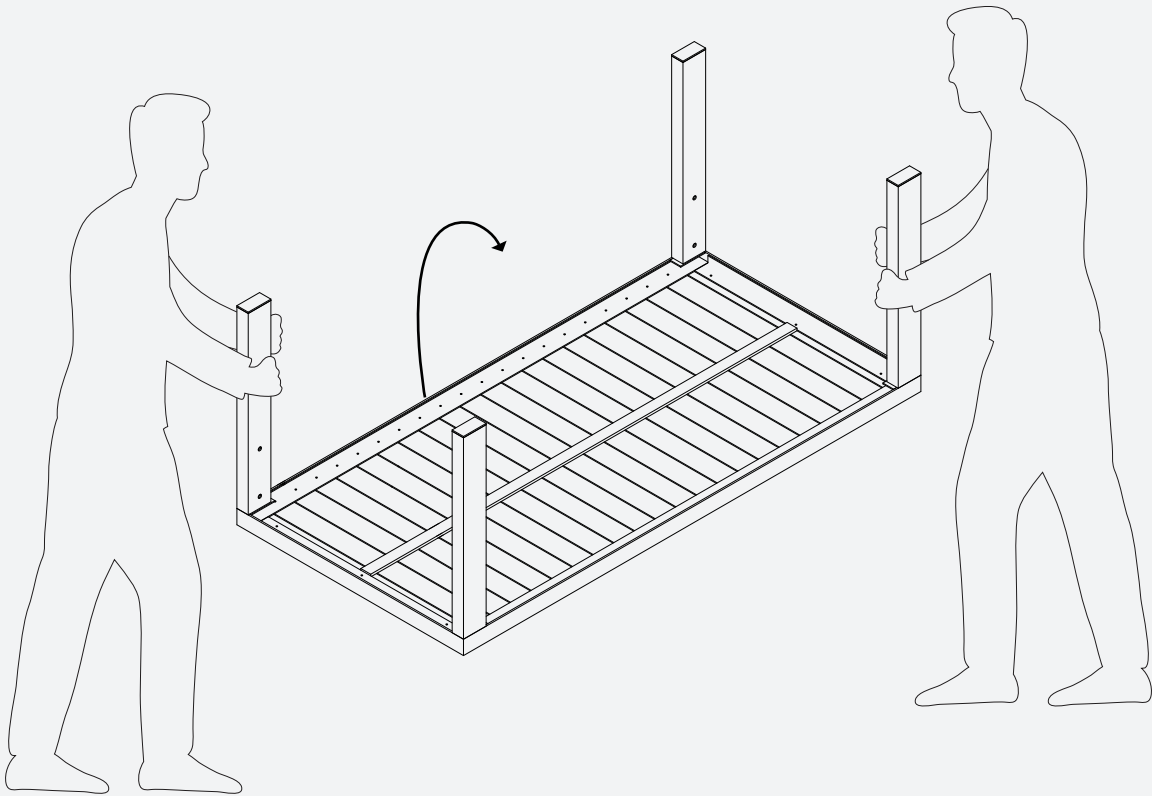
1. Assembly instruction Garden Dinner Table 160 and 220. (Skip to p.9 for Garden Dinner Bench 125 and 183)
Assemble the legs with the table top.



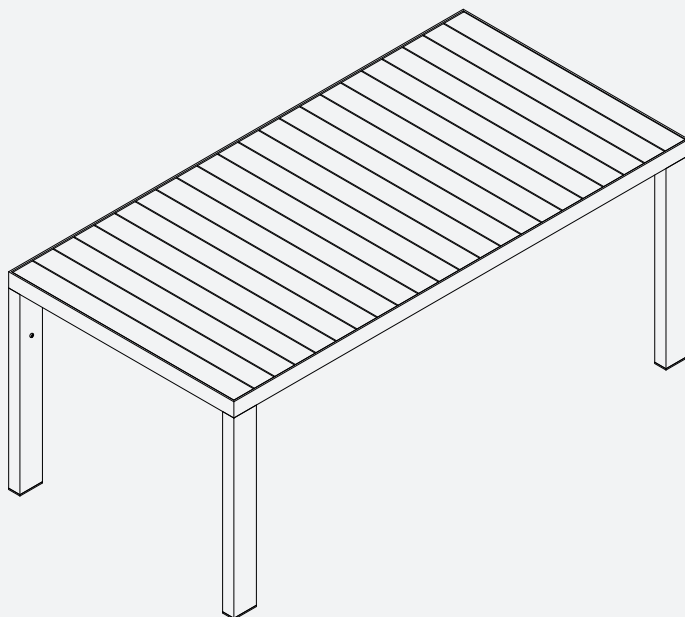
2. Fasten the legs against the table top. Use attached screws.



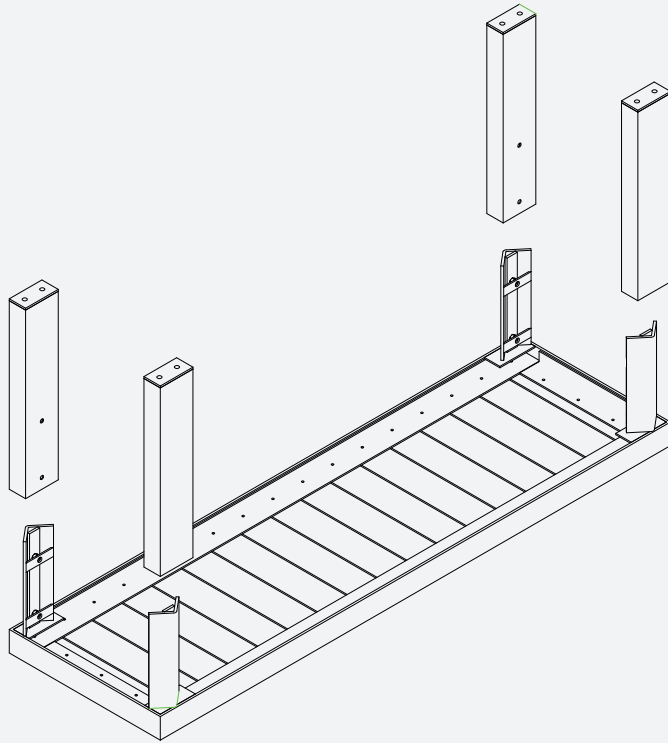
3.



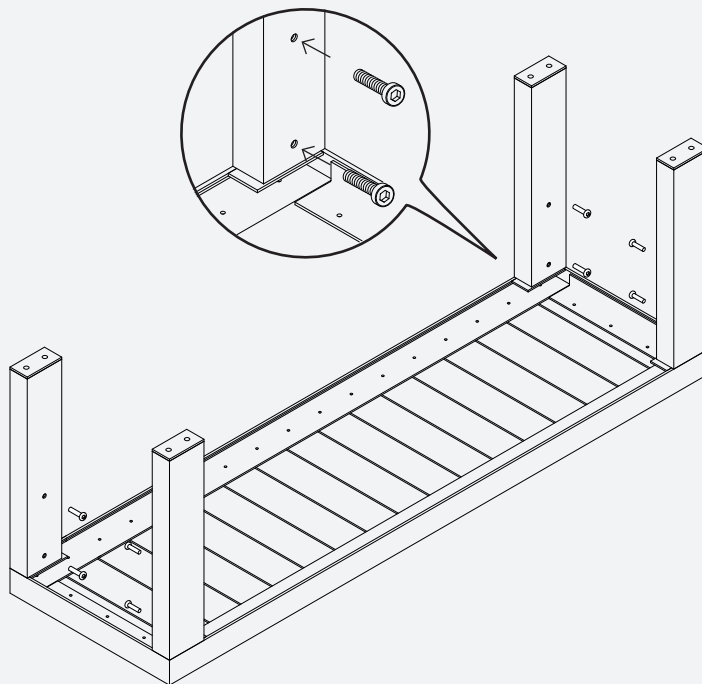
4.



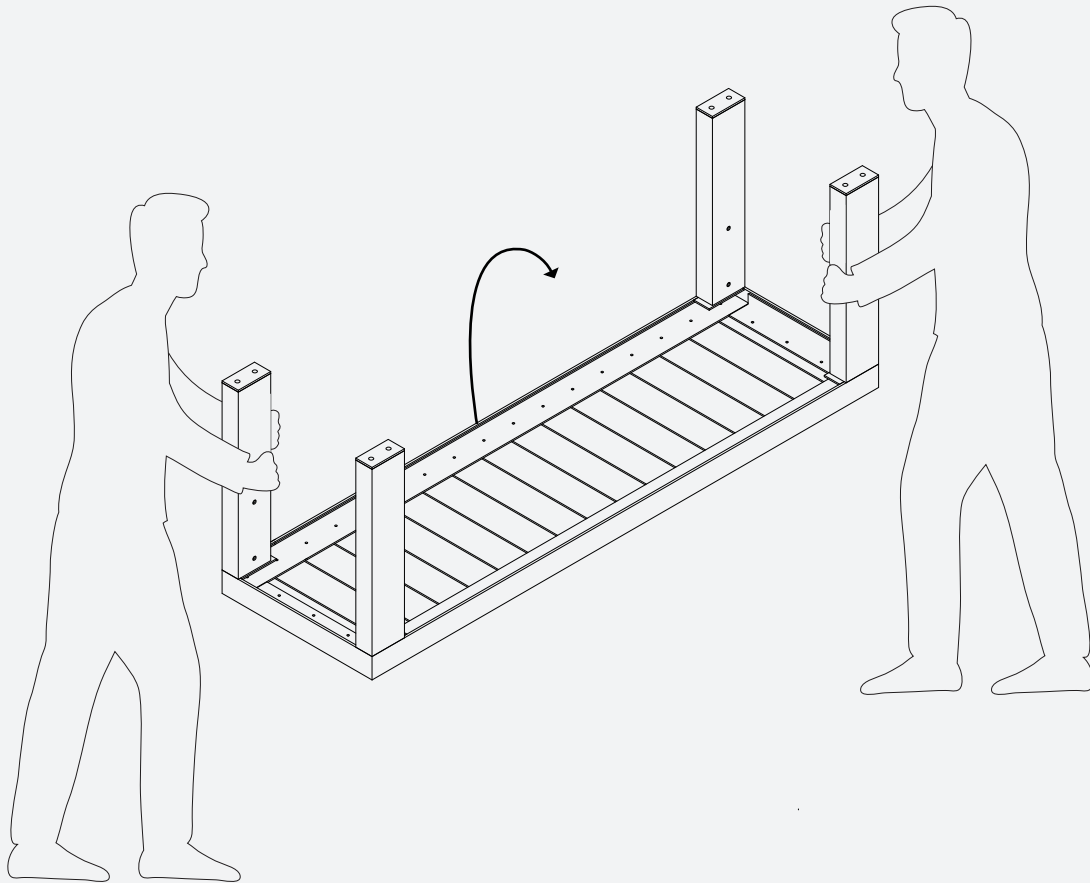
1. Assembly instruction Garden Dinner Bench 125 and 183.
Assemble the legs with the seat.



2. Fasten the legs against the seat. Use attached screws.



3.



4.

